

**TEHORN**

ISO9001 TS CE Patent 专利 API 6D API 607

**TEHORN**

# TEHORN VALVES

## ANGLE SEAT VALVE SERIES

### 气动角座阀系列

**浙江特宏阀门有限公司**  
ZHEJIANG TEHONG VALVE CO., LTD.

地址: 浙江省温州市龙湾区度山工业区天中路1466号  
电话: +86-0577-86595999  
传真: +86-0577-86595666  
网址: www.tehong.cc  
邮箱: sales@tehongvalve.com

Add: No.1466 Tianzhong Road, Dushan Industrial District, Longwan, Wenzhou, Zhejiang, China

Tel: +86-577-86631333

Fax: +86-577-86631222

M.b.: +86-13857767633

Web: www.tehongvalve.com

Email: sales@tehongvalve.com



© 特宏企业 (TEHORN INDUSTRY) 版权所有

采用生态纸印刷 Adopt the ecological paper printing

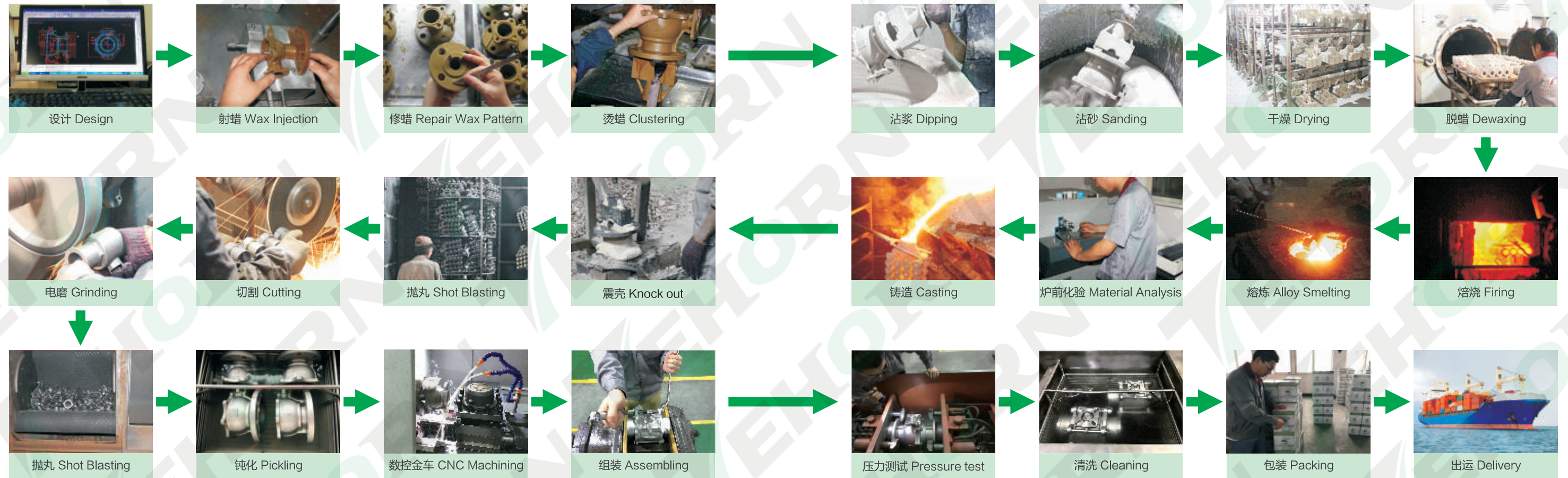
本画册的图像, 文字著作权归属浙江特宏阀门有限公司, 未经公司书面同意, 不得复制或复制, 违者, 浙江特宏阀门有限公司保留追究其法律责任的权利。

The property right of pictures and words in this pamphlet belongs to Zhejiang Tehong Valve Co., Ltd. Without consent, no one can record or copy. Anyone who breaks it, Zhejiang Tehong Valve Co., Ltd. owns the right to chase his legal responsibility.

**浙江特宏阀门有限公司**  
ZHEJIANG TEHONG VALVE CO., LTD.



## 工艺流程 PROCESS FLOW



技术创新是一个企业发展的源动力。拥有先进的技术可以使得一个企业在激烈的市场竞争中占有有力的位置。特宏阀门致力于技术的研究和发展并且运用技术战略来占领市场。

Technical innovation is the power of enterprise development. Owning advanced technology can make the enterprise be in a advantageous position in the competition. Tehong Valve pays much attention to the technical research and development and adopts technical strategy to occupy the market.

时间的流逝和历史的沉淀，只有持久的光辉才是永恒。我们-浙江特宏阀门有限公司，以我们的真诚和坚持，以技术为客户提供高质量的阀门产品为永恒的目标。Time elapses and washes the dust of history, only the lasting glitter is eternal. And we - TEHONG personnel, due to our sincerely and perseverance, all our technical work aims the ultimate goal to provide high quality valves for customers



三维坐标  
Three-dimensional  
Coordinates

台式光谱仪  
Desktop Spectrometer

拉伸试验机 (抗拉强度, 屈服强度等)  
Universal Test  
(Tensile, Yield Strength, etc)

金相显微镜  
Metallurgical Microscope



冲击测试  
Impact Test

盐雾测试  
Salt Spraying Test

硬度测试  
Hardness Test

手持光谱仪  
Portable Spectrometer



# 质量保证 QUALITY ASSURANCE

我们的客户希望公司拥有持久耐用的设备和标准化的生产工艺和流程来保证产品的质量，使他们能在全球经济激烈的竞争中拥有不可忽视的地位。我们的质量保障体系确保了有精确的设备以及为我们的客户提供高品质的产品。

Our customers expect procure durable equipment and guarantee the quality of products, so that have an invincible position in the global economic competition. Our quality assurance system is to ensure that the manufacture equipment for customer.



# 目录 CONTENTS

- 01-02 ----- 工艺流程 PROCESS FLOW
- 03 ----- 质量保证 QUALITY ASSURANCE
- 04 ----- 目录 CONTENTS
- 05 ----- Q5系列气动角座阀 Q5 SERIES PNEUMATIC ANGLE SEAT VALVE
- 06 ----- Q5系列气动角座阀 Q5 SERIES PNEUMATIC ANGLE SEAT VALVE
- 07 ----- Q3系列气动角座阀 Q3 SERIES PNEUMATIC ANGLE SEAT VALVE
- 08 ----- Q3系列气动角座阀 Q3 SERIES PNEUMATIC ANGLE SEAT VALVE
- 09 ----- 三通气动角座阀 THREE-WAY PNEUMATIC ANGLE SEAT VALVE
- 10 ----- 三通气动角座阀 THREE-WAY PNEUMATIC ANGLE SEAT VALVE
- 11 ----- L3系列气动角座阀 L3 SERIES PNEUMATIC ANGLE SEAT VALVE
- 12 ----- 角座阀系列 PNEUMATIC ANGLE SEAT VALVE SERIES
- 13 ----- G3系列气动灌装阀 G3 SERIES PNEUMATIC FILLING VALVE
- 14 ----- G3系列气动灌装阀 G3 SERIES PNEUMATIC FILLING VALVE



**特点 Advantages**

外部先进角座阀，溢流口与滑块间有自动调节密封压盖，阀体角座结构可实现较大流量，特别是与普通截止阀相比时。

External advanced Angle, especially compare with the normal globe valves seat valve, there is adjustment sealing gland between over flow drain and slider, body structure can enforce more flow rate, especially compare with the normal globe valves.



Q5系列螺纹式  
Threaded Connection

**技术参数 Technical Data**

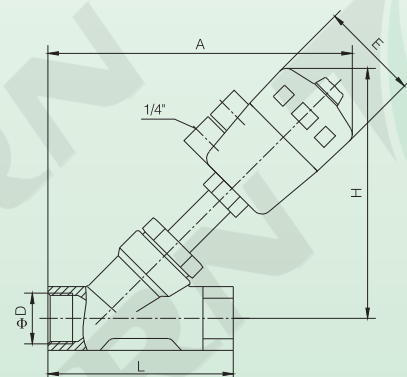
- ◆ 压力范围 Pressure range: 0~16bar
- ◆ 介质温度 Medium temperature: -10°C~+180°C
- ◆ 环境温度 Environmental temperature: -10°C~+60°C
- ◆ 阀体材料 Body material: 不锈钢 Stainless steel
- ◆ 密封材料 Sealing material: 聚四氟乙烯 PTFE
- ◆ 执行机构外壳 Actuator material: 聚酰胺 PA
- ◆ 介质 Medium: 中性气体、空气、水 Neutral gas, air, water

**选取 Option**

- ◆ 控制功能 Control functions: 常开 Normally open
- ◆ 执行机构外壳适用于环境温度: +5°C~+130°C Actuator material suitable for environmental temperature: +5°C~+130°C
- ◆ 无复位弹簧 双作用执行机构 No return spring double acting actuators
- ◆ 电子式位置反馈 Electronic position feedback
- ◆ 独立可调行程极限, 适于高低流量 Independent adjustable stroke limit, suitable for high low flow schedule
- ◆ 手动应急开关 Manual emergency switch
- ◆ 先导阀适用的 Namur 适配器 Pilot valve suitable Namur adapter

**Q5系列 Series**

型号 Size	规格 D	执行器 mm	L	A	H	E
15	1/2"	φ 50	85	180	140	65
20	3/4"	φ 50	95	185	145	65
25	1"	φ 50	105	190	155	65
	1"	φ 63	105	220	185	80
32	1 1/4"	φ 63	120	230	188	80
40	1 1/2"	φ 63	130	235	195	80
	1 1/2"	φ 80	130	228	215	100
50	2"	φ 63	150	250	205	80
	2"	φ 80	150	268	225	100
65	2 1/2"	φ 80	185	285	260	100
	2 1/2"	φ 100	185	325	320	126
80	3"	φ 100	210	335	330	126



H5系列螺纹式  
Welded Connection



K5系列螺纹式  
Tri-clamp Connection



F5系列螺纹式  
Flanged Connection

**H5系列 Series**

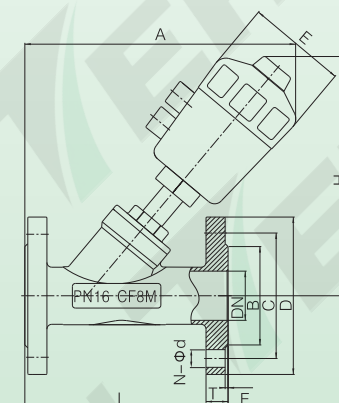
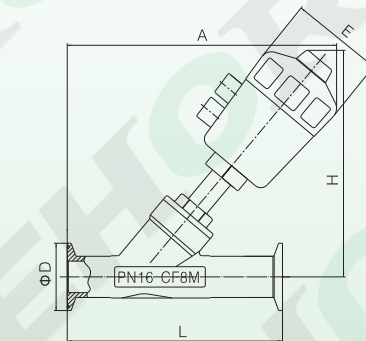
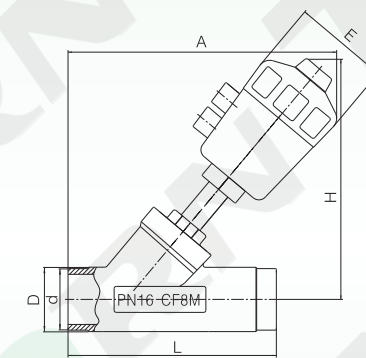
规格 Size	执行器 mm	L	D	d	A	H	E
15	φ 50	120	20.0	19.0	165	145	64
20	φ 50	125	25.5	24.0	167	150	64
25	φ 63	145	31.0	30.0	210	183	80
32	φ 63	156	38.0	37.0	215	185	80
40	φ 63	185	47.0	45.5	232	195	80
50	φ 80	200	58.0	56.5	262	230	100
65	φ 100	228	77.5	75.0	319	290	126
80	φ 100	245	92.0	90.0	360	315	126

**K5系列 Series**

规格 Size	执行器 mm	L	D	A	H	E
15	φ 50	120	50.5	165	145	64
20	φ 50	140	50.5	175	150	64
25	φ 63	160	50.5	215	183	80
32	φ 63	175	50.5	225	185	80
40	φ 63	190	64.0	235	195	80
50	φ 80	210	77.5	270	205	100
65	φ 100	225	77.5	315	290	126
80	φ 100	255	91.0	362	315	126

**F5系列 Series**

规格 Size	执行器 mm	L	T	f	D	C	B	N-φ d	A	H	E
15	φ 50	120	14	2	95	65	40	4-φ 14	165	145	64
20	φ 50	130	14	2	105	75	50	4-φ 14	170	150	64
25	φ 63	140	14	2	115	85	60	4-φ 14	210	183	80
32	φ 63	150	16	2	135	100	70	4-φ 18	220	185	80
40	φ 63	180	16	2	145	110	80	4-φ 18	230	195	80
50	φ 80	195	16	2	160	125	92	4-φ 18	260	230	100
65	φ 100	230	18	2	185	145	115	4-φ 18	320	290	126
80	φ 100	250	18	2	195	160	130	8-φ 18	360	315	126





**特点 Advantages**

- ◆流量大、流阻小、无水锤
- ◆Y型设计，增加30%流量
- ◆阀杆自动校正，自滋润，免维护
- ◆气缸采用不锈钢材质，在恶劣的环境中更加优秀，可360° 旋转。
- ◆Large flux, low resistance, No water-hammer.
- ◆Y-type shape enlarged the flowing section, which could raise the flux by 30% and make flow more smooth.
- ◆Super long life, which help the stem adjust and lubricate itself automatically.
- ◆The cylinder material is stainless steel. lubricating automatically, 360° rolling freely.

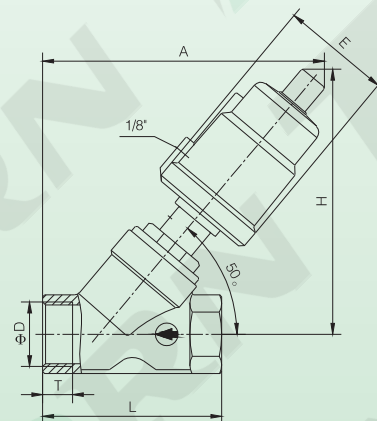
**技术参数 Technical Data**

- ◆压力范围 Pressure range: 0~16bar
- ◆介质温度 Medium temperature: -10°C~+180°C
- ◆环境温度 Environmental temperature: -10°C~+60°C
- ◆阀体材料 Body material: 不锈钢 Stainless steel
- ◆密封材料 Sealing material: 聚四氟乙烯 PTFE
- ◆执行机构外壳 Actuator material: 不锈钢 SS304
- ◆介质 Medium: 中性气体、空气、水 Neutral gas, air, water

**选取 Option**

- ◆控制功能 Control functions: 常开 Normally open
- ◆执行机构外壳适用于环境温度: +5°C~+130°C Actuator material suitable for environmental temperature: +5°C~+130°C
- ◆双作用执行机构 Double acting actuators
- ◆电子式位置反馈 Electronic position feedback
- ◆独立可调行程极限，适于高低流量 Independent adjustable stroke limit, suitable for high-low flow schedule
- ◆先导阀适用的 Namur 适配器 Pilot valve suitable Namur adapter

**Q3系列 Series**



型号 Size	规格 D	执行器 mm	L	A	H	E
15	1/2"	φ 50	68	130	128	60
20	3/4"	φ 50	75	140	133	60
25	1"	φ 50	90	150	140	60
	1"	φ 63	90	170	165	75
32	1 1/4"	φ 63	110	180	175	75
40	1 1/2"	φ 63	115	190	178	75
	1 1/2"	φ 80	115	210	200	95
50	2"	φ 63	135	200	190	75
	2"	φ 80	135	220	210	95
65	2 1/2"	φ 80	185	260	230	95
	2 1/2"	φ 100	185	300	300	116
80	3"	φ 100	210	335	320	116



Q3系列螺纹式  
Threaded Connection



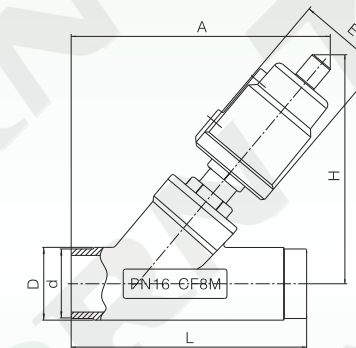
H3系列焊接式  
Welded Connection



K3系列快装式  
Tri-clamp Connection

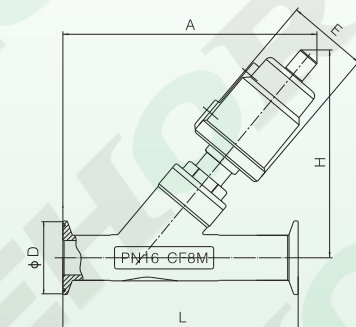


F3系列法兰式  
Flanged Connection



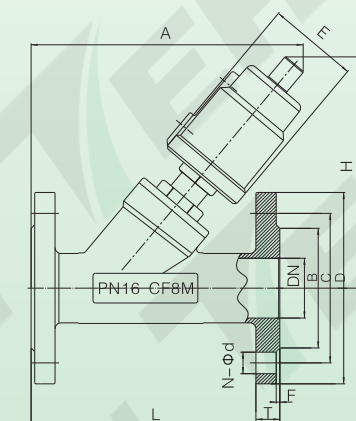
**H3系列 Series**

规格 Size	执行器 mm	L	D	d	A	H	E
15	φ 50	120	20.0	19.0	150	135	62
20	φ 50	125	25.5	24.0	160	142	62
25	φ 63	145	31.0	30.0	195	172	76
32	φ 63	156	38.0	37.0	200	175	76
40	φ 63	185	47.0	45.5	207	180	76
50	φ 80	200	58.0	56.5	240	205	96
65	φ 100	228	77.5	75.0	319	275	114
80	φ 100	245	92.0	90.0	337	290	114



**K3系列 Series**

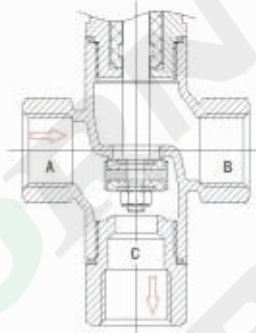
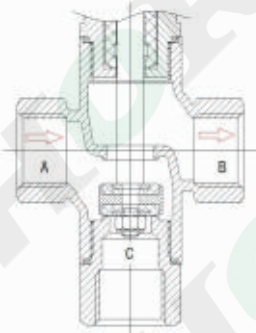
规格 Size	执行器 mm	L	D	A	H	E
15	φ 50	120	50.5	150	135	62
20	φ 50	140	50.5	163	142	62
25	φ 63	160	50.5	195	172	76
32	φ 63	175	50.5	203	175	76
40	φ 63	190	64.0	210	180	76
50	φ 80	210	77.5	245	205	96
65	φ 100	225	91.0	317	275	114
80	φ 100	255	106.0	342	290	114



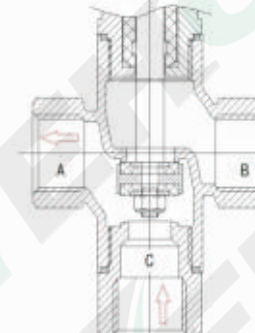
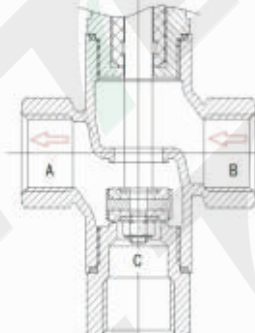
**F3系列 Series**

规格 Size	执行器 mm	L	T	f	D	C	B	N-φd	A	H	E
15	φ 50	120	14	2	95	65	40	4-φ 14	160	145	62
20	φ 50	130	14	2	105	75	50	4-φ 14	165	153	62
25	φ 63	140	14	2	115	85	60	4-φ 14	220	178	76
32	φ 63	150	16	2	135	100	70	4-φ 18	215	213	76
40	φ 63	180	16	2	145	110	80	4-φ 18	205	180	76
50	φ 80	195	16	2	160	125	92	4-φ 18	235	205	96
65	φ 100	230	18	2	185	145	115	4-φ 18	320	275	114
80	φ 100	250	18	2	195	165	130	8-φ 18	340	290	114





换向功能  
Reversing



混合功能  
Blending

**技术参数**

- ◆工作压力: Max1.6MPa
- ◆控制压力: 0.3~0.8MPa
- ◆控制介质: 中性气体或空气
- ◆阀体材料: CF8M
- ◆气缸材料: CF8
- ◆密封材料: PTFE
- ◆介质温度: -10°C ~ +180°C
- ◆环境温度: -10°C ~ +80°C
- ◆控制形式: 单作用常闭, 双作用常闭, 双作用自由态
- ◆连接形式: 螺纹式、快装式
- ◆适用介质: 水、蒸汽、油、中性气体或液体, 有机溶剂, 酸碱溶液等

**工作原理**

本阀门共有三处通孔, 可实现换向分流或混合功能, 在一定程度上可替代两只两通截止阀。阀门在非工作状态时, 由于弹簧力的作用, 阀门C端常闭, B端常开; 当执行器活塞被压缩气体作用时, 阀门C端打开, B端关闭。双作用形式时, 靠压缩空气控制阀门开启与关闭。

**Technical Data**

- ◆Work pressure: Max1.6MPa
- ◆Control pressure: 0.3~0.8MPa
- ◆Control Medium: Neutral gas or air
- ◆Body material: CF8M
- ◆Actuator material: CF8
- ◆Seal material: PTFE
- ◆Medium temperature: -10°C ~ +180 °C
- ◆Ambient temperature: -10°C ~ +80°C
- ◆Control type: Normally closed, Double acting with spring, Double acting with compressed air.
- ◆Connection: Thread, Tri-clamp
- ◆Applicable medium: Water, steam, oil, neutral gas or liquid, organic solvent, acid base solution, etc

**Function Principle**

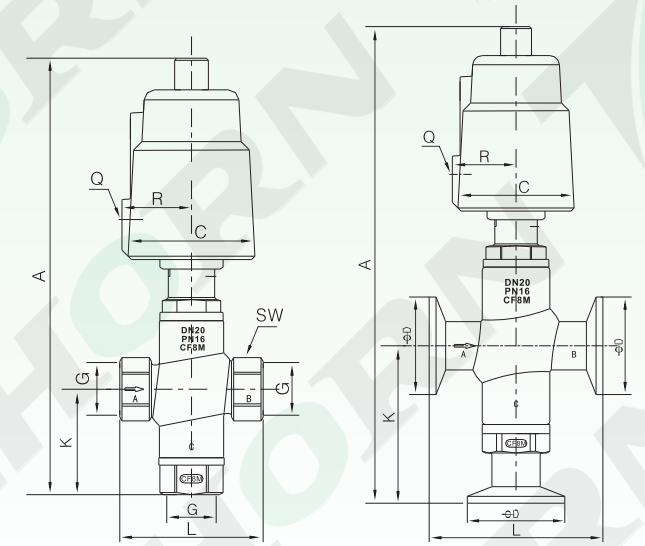
The valve has three ports that enable "reversing" and "blending" features. When the valve is in idle state , C port is often closed due to force of the spring. When the actuator piston is compressed, C port is opened and B port is closed. When double acting, the valve opens and closes by compressed air.

**螺纹式 Thread Type**

规格 Size	执行器 Actuator	Q	C	R	G	A	K	L	SW	重量 weight (kg)
DN15	40	G1/8	50.5	27	1/2"	195	50	68	27	0.91
DN20	50	G1/8	60	33	3/4"	230	60	75	32	1.25
DN25	50	G1/8	60	33	1"	242	68	90	40	1.64

**快装式 Tri-clamp Type**

规格 Size	执行器 Actuator	Q	C	R	D	A	K	L	重量 weight (kg)
DN15	40	G1/8	50.5	27	34	223	80	90	0.99
DN20	50	G1/8	60	33	50.5	246	80	90	1.48
DN25	50	G1/8	60	33	50.5	262	90	100	1.78



螺纹式 Thread type

快装式 Tri-clamp type

**压力参数 Pressure Data**

配置1: 单作用正向弹簧 Type 1; Single acting, with Normal Spring

规格 Size	执行器 Actuator	接口 Interface	内孔 Inner hole	流量值 Flow rate		压差范围 Differential pressure range $\Delta P(\text{MPa})A \rightarrow B/A \rightarrow C$	压差范围 Differential pressure range $\Delta P(\text{MPa})C \rightarrow A$	控制压力 Control pressure (MPa)
				A→B	A→C			
DN15	40	1/2"	14	4.1	4.9	0-1.6	1.2	0.4-0.6
DN20	50	3/4"	18	5.8	6.5	0-1.6	0.8	0.3-0.5
DN25	50	1"	24	13.9	14.4	0-1.4	0.4	0.3-0.65

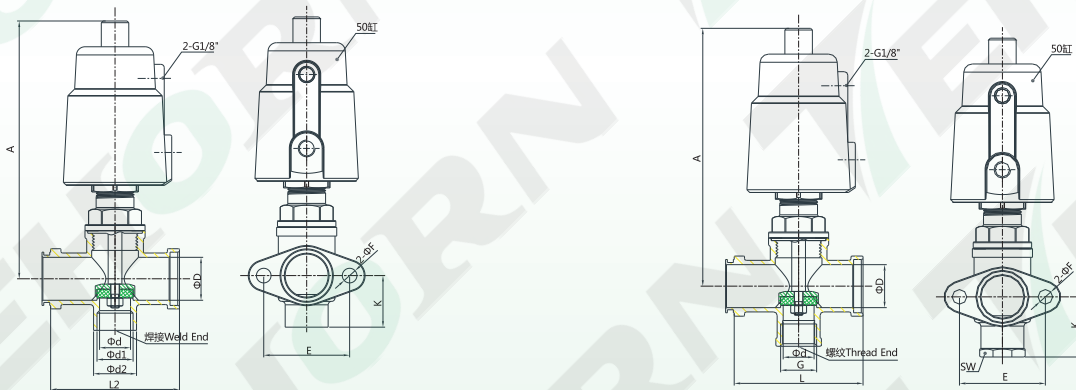
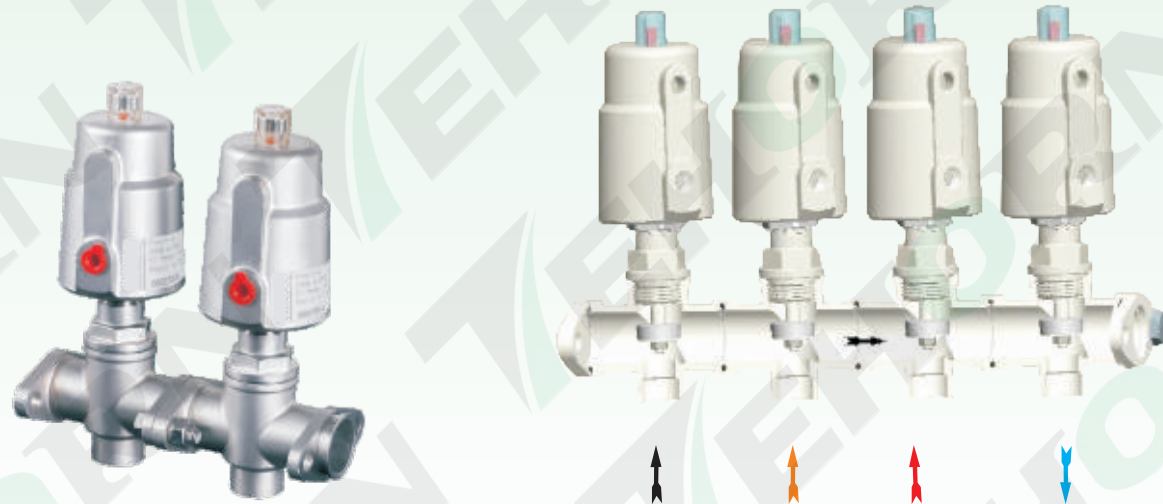
配置2: 单作用反向弹簧 Type 2; Single acting, with Strong Spring

规格 Size	执行器 Actuator	接口 Interface	内孔 Inner hole	流量值 Flow rate		压差范围 Differential pressure range $\Delta P(\text{MPa})A \rightarrow B/A \rightarrow C$	压差范围 Differential pressure range $\Delta P(\text{MPa})C \rightarrow A$	控制压力 Control pressure (MPa)
				A→B	A→C			
DN15	40	1/2"	14	4.1	4.9	0-1.6	1.2	0.4-0.6
DN20	50	3/4"	18	5.8	6.5	0-1.6	1.4	0.45-0.65
DN25	50	1"	24	13.9	14.4	0-1.1	0.6	0.45-0.65

配置3: 双作用正向弹簧 Type 3; Double acting, with Normal Spring

规格 Size	执行器 Actuator	接口 Interface	内孔 Inner hole	流量值 Flow rate		压差范围 Differential pressure range $\Delta P(\text{MPa})A \rightarrow B/A \rightarrow C$	压差范围 Differential pressure range $\Delta P(\text{MPa})C \rightarrow A$	控制压力 Control pressure (MPa)
				A→B	A→C			
DN15	40	1/2"	14	4.1	4.9	0-1.6	1.6	0.4-0.6
DN20	50	3/4"	18	5.8	6.5	0-1.6	1.6	0.3-0.5
DN25	50	1"	24	13.9	14.4	0-1.4	1.4	0.3-0.65





规格 Size	A	K	L	D	d	d1	d2	ΦE	2-ΦF
DN20	153	30	76	25	18	21	25	50	8.5
DN25	153	36	90	32	24	27	32	57	8.5

规格 Size	A	K	L	D	d	G	SW	ΦE	2-ΦF
DN15	153	35	76	25	18	1/2"	27	50	8.5
DN25	153	46	90	32	24	1"	39	57	8.5

**技术参数 Technical Data**

管道压力 Fluid Pressure	0-1.6MPa
控制压力 Control Pressure	0.3-0.8MPa
阀门特点 Advantages	阀门阀体结构采用三通连接方式, 可实现快速的整齐排管, 外形轻巧, 结构紧凑, 性能优良。混料、连接方便 3-Way body; Assembly easily and save space; Best choice for fluid mixing.
控制介质 Control Fluid	中性气体或空气 Neutral gas, Air
密封材料 Seals Material	PTFE
适用介质 Applicable Fluid	水、油、气、等介质 Water、Oil、Air etc. Liquid
介质温度 Fluid Temperature	-10—+200°C
环境温度 Ambient Temperature	-10—+80°C
连接形式 Connection Type	法兰式 Flanged
控制形式 Control Type	单作用常闭, 常开, 双作用常闭, 双作用自由态 Normally closed、Normally open、Double acting

**T型气动角座阀**  
Angle Seat Valve (T-type)

Q5-T系列二位二通流体控制阀是我公司开发的一种新颖控制阀, 该阀启动压力低, 关闭灵敏度高, 密封性能好, 不漏水, 广泛应用于食品、纺织、医药、工业洗涤设备、化工等行业。

The Q5-T Series 2-position 2-way fluid control valve is a novel control valve developed by our Company, The valve is low in starting pressure, highly flexible in open and close, good in sealing property and without the water leakage.



**Y型手动角座阀**  
Y-Type manual Angle Seat Valve

**技术参数 Technical Data**

公称通径: DN10~65(3/8"~2-1/2")  
管道压力: 0-1.6MPa  
介质: 蒸汽、气体、液体、粘或腐蚀性流体  
介质温度: -20~+200°C  
环境温度: -10~+80°C  
阀体材质: 不锈钢304 或 316  
密封材料: 高档进口PTFE(聚四氟乙烯)  
优点: 免维护, 易安装, 低耗能, 流量大, 流阻小, 无水锤

Valve Size: DN10-DN65  
Pipe Pressure: 0-1.6MPa  
Body Material: CF8M / CF8  
Valve Spool Seal: PTEE  
Applicable Fluid: Water, Alcohol, Oil, Fuel, Steam, Neutral Gas or liquid, Organic solvent, acid and lye  
The Temperature of The Medium: -10°C ~ +200°C



**磁感应开关系列**  
Proximity Switch

适用于所有口径角座阀, 用来检测阀门开关状态, 反馈阀门启闭信号。

Switch can be installed on every actuator, indicating the valve on-off with signal.

**技术参数 Technical Data**

电压 Voltage: 10-30V DC  
防护等级 Protection class: IP67  
检测距离 Detection distance: 3mm ± 10% ( 另可选 )  
环境温度 Environmental temperature: -25~70°C  
材料: 壳体: 黄铜镀镍, 检测面: ABS  
Material: shell: brass nickel plating, detection: ABS



**电磁阀系列**  
Solenoid Valve

适用于所有口径角座阀, 可接2位5通或2位3通电磁阀。

Applies to all caliber angle seat valve, which can be accessed through two five or two 3-way solenoid valve.

**技术参数 Technical Data**

使用流体: 空气 (经40微米滤芯过滤)  
接口 Connection: G1/8  
使用电源 Power: 24V DC或220V AC  
使用压力 Air pressure: 0.15-0.8 MPa  
工作温度 Working temperature: -5~50°C  
防护等级 Protection class: IP65



**手动操作行程限位系列**  
Manual Override for Stroke Actuator

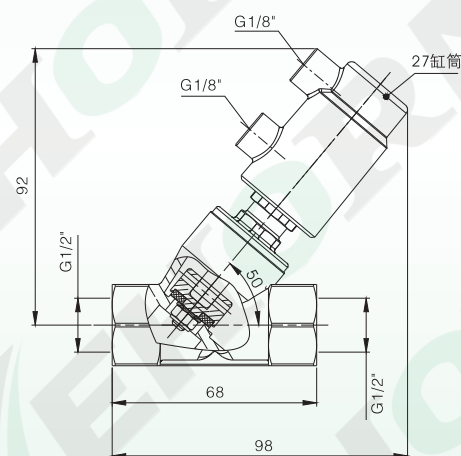
可调节活塞开度, 限制行程, 调节阀门流量, 适用于所有型号的角度阀, 另外在无控制气源、机械 (电磁) 故障时还可用来紧急制动。

Can adjust piston stroke, restrictions, regulating valves, applicable to all types traffic block valves, another horn of air, without control in mechanical (electromagnetic) failure can also be used to emergency braking.



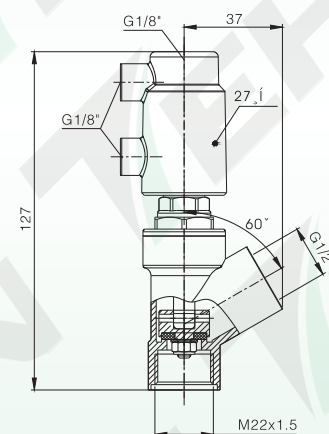


G3-A



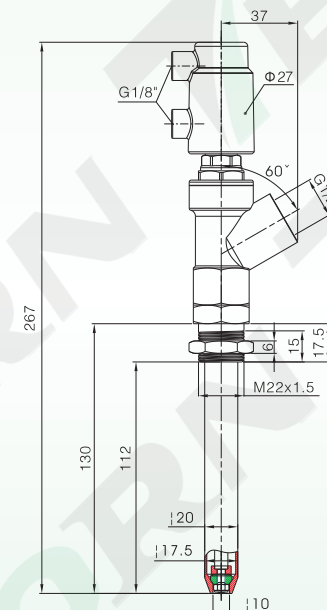
DN15灌装阀-A

G3-B



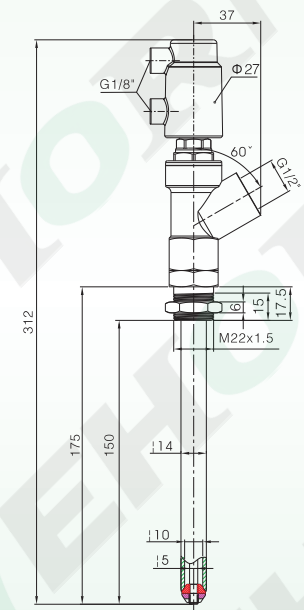
DN15立式灌装阀-B

G3-C



DN15加长型灌装阀-C

G3-D



DN15加长型灌装阀-D

**特点**

本阀门采用精致型设计，各部件均采用不锈钢制造，外观精美，部件轻巧，结构紧凑，阀芯部位采用活动式结构，可自行校正，密封性能优良。

**技术参数**

- ◆控制形式：双作用常闭型，双作用自由态
- ◆双作用常闭型：管道压力0~0.7MPa，控制压力：0.38~0.42MPa
- ◆双作用自由态：管道压力0~0.7MPa，控制压力：0.3~0.35MPa
- ◆控制介质：经过滤的压缩空气
- ◆阀体材质：CF8或CF8M
- ◆密封材料：PTFE
- ◆介质温度：-10℃~+120℃
- ◆连接形式：螺纹式

**Advantages**

Compact design, could be assembled in a small space Movable seat, which have perfect sealing.

**Technical Data**

- ◆Double acting(with spring): Fluid pressure: 0 ~ 7bar,
- ◆Control pressure: 3.8bar ~ 4.2bar
- ◆Double acting(no spring): Fluid pressure: 0 ~ 7bar,
- ◆Control pressure: 3 ~ 3.5bar
- ◆Body: CF8 or CF8M
- ◆Sealing Material: PTFE
- ◆Fluid Temperature: -10℃ ~ +120℃
- ◆Connection: Thread(BSP, BSPT, NPT)

**特点**

广泛应用于灌装机械，尤其适用于粘稠、膏状及容易起泡沫的液体灌装；灌装速度快，精准稳定；精致小巧，便于排管布局；灌装头底部特殊的密封设计，可以实现灌装无滴漏；灌装头底部倒角结构，具有导向定位作用，可下潜灌装。

**技术参数**

- ◆双作用常闭型：管道压力0~0.7MPa，控制压力：0.38~0.42MPa
- ◆双作用自由态：管道压力0~0.7MPa，控制压力：0.3~0.35MPa
- ◆阀体材质：CF8或CF8M
- ◆密封材料：PTFE
- ◆介质温度：-10℃~+120℃

**Advantages**

This valve is widely used on drinks filling machinery. The long filling gun is specially designed for high viscosity fluid. Fast filling, accurate and steady performance. Compact design, could be assembled in a small space. No dripping during working, because of special sealing design.

**Technical Data**

- ◆Double acting(with spring): Fluid pressure: 0~7bar, Control pressure: 3.8bar~4.2bar
- ◆Double acting(no spring): Fluid pressure: 0~7bar, Control pressure: 3~3.5bar
- ◆Body: CF8 or CF8M
- ◆Sealing Material: PTFE
- ◆Fluid temperature: -10℃~+120℃